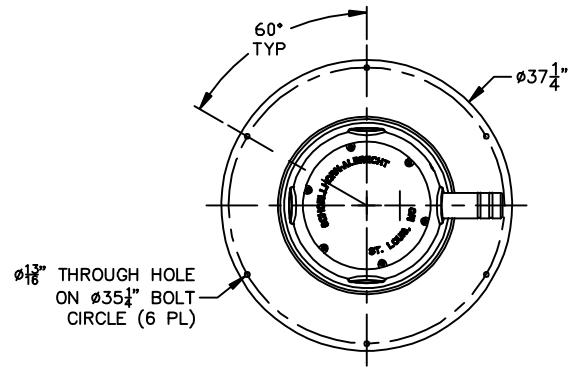
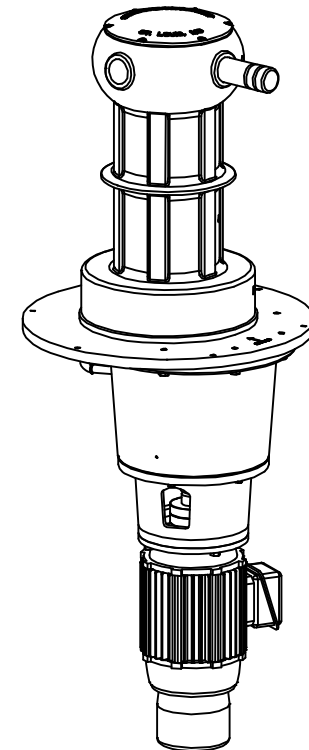


ELEVATION



PLAN VIEW



TRIMETRIC VIEW
NO SCALE

THIS DRAWING IS CONFIDENTIAL AND PROPRIETARY IN DESIGN AND DETAIL AND IS THE PROPERTY OF SCHOELLHORN-ALBRECHT MACHINE CO., INC. THIS DRAWING IS NOT TO BE DISTRIBUTED WITHOUT REQUESTING IN WRITING AND RECEIVING THE EXPRESS WRITTEN PERMISSION OF SCHOELLHORN-ALBRECHT MACHINE CO., INC.

SCHOELLHORN-ALBRECHT MACHINE CO., INC. 575-105 RUDDER RD. ST. LOUIS, MO 63026 PHONE: (314) 351-3333 FAX: (314) 351-5780			22300 CAPSTAN CATALOG DRAWING		
SCALE: 1-1/2" = 1'-0" DATE: FEBRUARY 1, 2008			DRAWING NO.		
DRAWN BY E. SHANNON	CHECKED BY ---	APPROVED BY ---	22300 CAPSTAN		
REV	DESCRIPTION	BY	DATE		REV