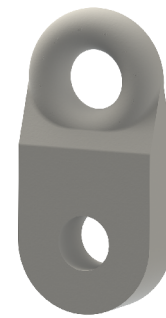
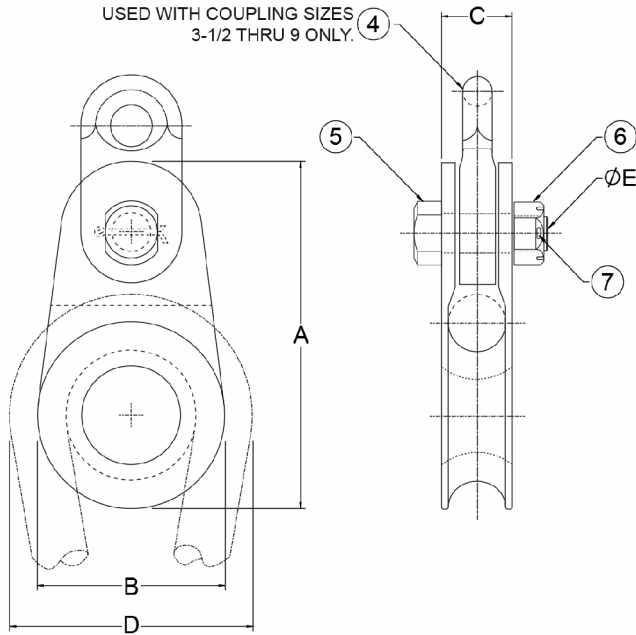


Towing Coupler

Navsea 803-5000916

- Hot Dipped Galvanized



Connecting Link



Towing Coupler

Model No.	For Use With Rope CRCMF	Proof Load (lbs)	Brake Load (lbs)	Weight (lbs) Approx.	Connecting Link Size (PC4)	Detachable Link Size	A	B	C	D	E	Nut (PC6) Nom size - Threads per inch.	Pin Cotter (PC7)
803-5000916-3.5	3 - 3.5	25,200	37,800	7	3-1/2	3/4	8	4	1-5/8	5-1/8	.203	3/4 - 10	3/16
803-5000916-4.5	3.75 - 4.5	40,500	60,750	15	4-1/2	7/8	9-5/8	5	2	6-1/2	.266	1 - 8	1/4
803-5000916-5.5	5 - 5.5	59,400	89,100	26	5-1/2	1-1/8	11-1/2	5-3/4	2-1/2	7-1/2	.312	1-1/4 - 7	5/16
803-5000916-7	6 - 7	95,650	140,400	52	7	1-3/8	14-1/2	7-1/2	3-1/16	9-7/8	.375	1-1/2 - 6	3/8
803-5000916-9	7.5 - 9	157,300	236,000	104	9	1-3/4	18-5/8	9-3/4	3-3/4	12-3/4	.438	2 - 4-1/2	7/16
803-5000916-10	10	184,900	277,200	143	-	1-7/8	20-3/8	10-3/4	4-1/4	14	.438	2 - 4-1/2	7/16
803-5000916-12	11 - 12	278,000	417,000	235	-	2-1/4	24-1/2	13	5	17	.438	2-1/2 - 4-1/2	7/16
803-5000916-15	13 - 15	432,700	649,000	476	-	2-7/8	30-3/4	16-1/2	6-1/4	21-1/2	.625	3-1/4 - 4	5/8
803-5000916-18	16 - 18	620,000	931,000	637	-	3-3/8	36-1/4	19-3/4	7-1/2	25-3/4	.625	3-3/4 - 4	5/8

All dimensions are in inches and are subject to change.

