



PERRY JOHNSON
REGISTRARS, INC.

ISO 9001:2000

Capstans



Since 1887

Schoellhorn-Albrecht

Machine Co., Inc.



Mooring Fittings • Capstans • Anchors • Accommodation Ladders & Gangways • Chain Stoppers • Special Projects

About Us

Since 1887 Schoellhorn-Albrecht has been an industry leader in the design and manufacture of Mooring Equipment and Systems including: Capstans, Anchor Windlasses, Vessel Access Systems, and Deck and Dock Fittings. Our products have provided years of reliable service to operators throughout the world.

Our specialty is Custom Engineered equipment designed specifically for your application. Whether you need to upgrade existing equipment or build new, we can provide the solution at a competitive price. Products are designed and manufactured to industry standards such as ABS, ISO, JIS, OCIMF, NAVSEA, and Naval Vessel Regulations.

Schoellhorn-Albrecht Capstans and Winches are designed to operate in a Marine Environment and will take punishment with a minimum of maintenance. Used by the Panama Canal Commission, St. Lawrence Seaway, the U.S. Navy, and Commercial Shipyards, thousands of these units are in service throughout the world.



History

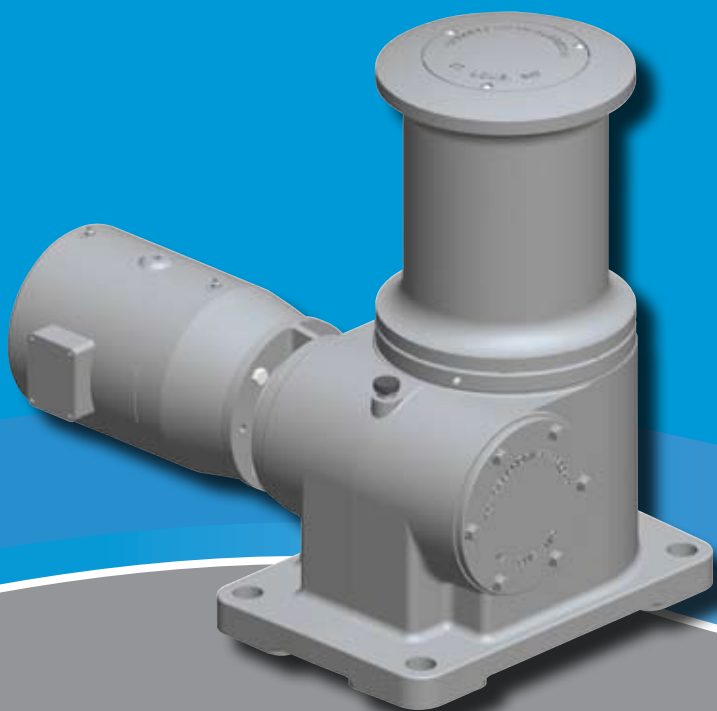
Schoellhorn-Albrecht has enjoyed a long history in St. Louis supporting the inland river industry. Pictured at right is the Schoellhorn-Albrecht building in 1887. It was located on the St. Louis Riverfront in historic Laclede's Landing located on the west bank of the Mississippi River.

Pictured below is the current Schoellhorn-Albrecht building located in St. Louis County.

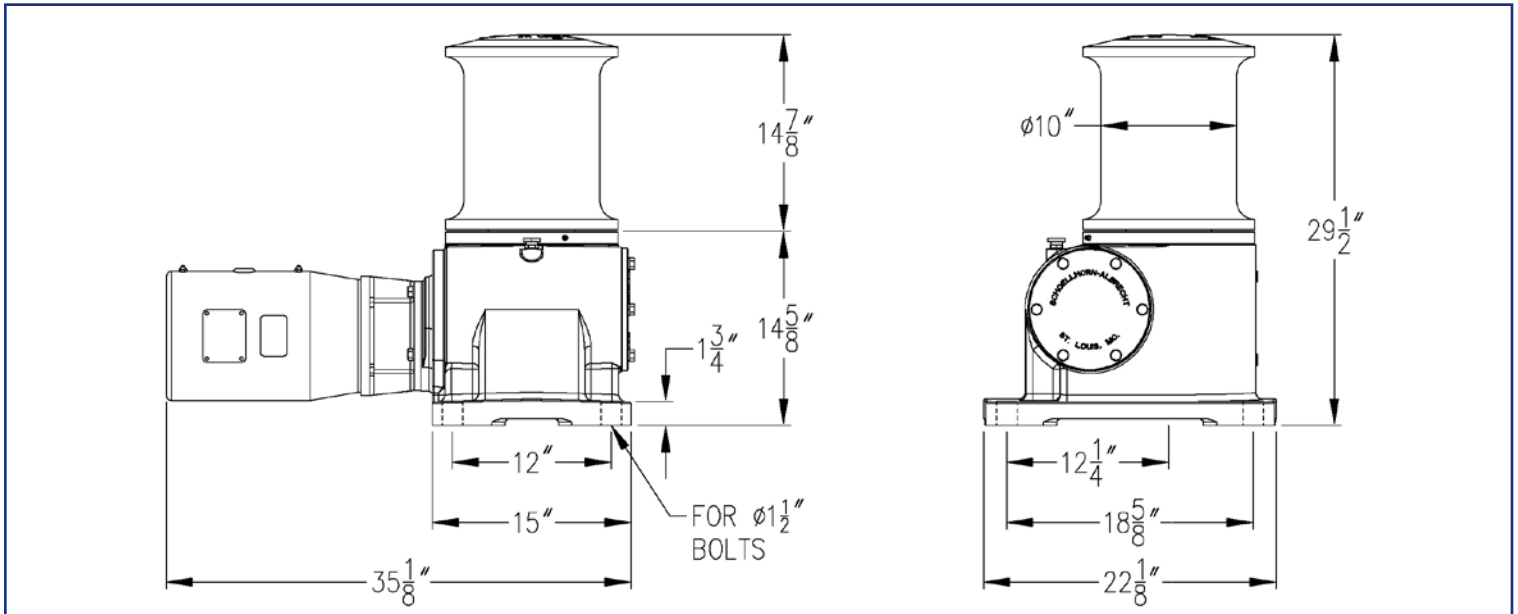


Capstan / Carpuller

- Over 25 Years of Service
- Used by: Panama Canal Commission, St. Lawrence Seaway, U.S.A.C.E.
- Hundreds of Units in Service Worldwide
- Tremendous Power in a Small Package
- Cast Steel Barrel
- High Strength Ductile Iron Gear Case
- Precision Helical / Worm Gearing
- Heat Treated / High Alloy Steel Shafting
- Double Taper Roller Bearings for Axial & Radial Load Control
- Spring Loaded Double Lip Seals
- Crane & Hoist Duty Motors (High Starting Torque)
- Weatherproof Motor & Magnetic Disc Brake – 230/460 Volt
- Barrel Diameters: 8", 10" & 12"
- Static (Bollard) Pull 35,000 Lbs
- Available in Electric, Pneumatic, Hydraulic & Explosion Proof
- Standard & Custom Control Packages
- Marine Paint Systems Available



Specifications



5 HP RATING	BARREL SIZE	STARTING PULL (LBS)	RUNNING PULL (LBS)	FPM
MODEL NUMBER				
SA0814-5-16	8	25,200	9,500	16
SA0814-5-21	8	19,600	7,400	21
SA0814-5-32	8	12,500	4,700	32
SA1014-5-20	10	20,200	7,600	20
SA1014-5-26	10	15,700	5,900	26
SA1014-5-40	10	10,000	3,800	40
SA1214-5-24	12	16,800	6,300	24
SA1214-5-31	12	13,100	4,900	31
SA1214-5-48	12	8,400	3,200	48

7.5 HP RATING	BARREL SIZE	STARTING PULL (LBS)	RUNNING PULL (LBS)	FPM
MODEL NUMBER				
SA0814-7.5-21	8	29,300	11,000	21
SA0814-7.5-32	8	18,800	7,100	32
SA1014-7.5-20	10	30,200	11,400	20
SA1014-7.5-26	10	23,500	8,800	26
SA1014-7.5-40	10	15,000	5,700	40
SA1214-7.5-24	12	25,200	9,500	24
SA1214-7.5-31	12	19,600	7,400	31
SA1214-7.5-48	12	12,500	4,700	48

10 HP RATING	BARREL SIZE	STARTING PULL (LBS)	RUNNING PULL (LBS)	FPM
MODEL NUMBER				
SA0814-10-32	8	25,000	9,400	32
SA1014-10-26	10	31,300	11,800	26
SA1014-10-40	10	20,000	7,500	40
SA1214-10-24	12	33,600	12,600	24
SA1214-10-31	12	26,100	9,800	31
SA1214-10-48	12	16,700	6,300	48

15 HP RATING	BARREL SIZE	STARTING PULL (LBS)	RUNNING PULL (LBS)	FPM
MODEL NUMBER				
SA1014-15-40	10	30,000	11,300	40
SA1214-15-48	12	25,000	9,400	48

HIGH SPEED	BARREL SIZE	STARTING PULL (LBS)	RUNNING PULL (LBS)	FPM
MODEL NUMBER				
SA1014-5-80	10	5,000	1,900	80
SA1014-7.5-80	10	7,400	2,800	80
SA1014-10-80	10	9,900	3,700	80
SA1014-15-80	10	14,800	5,600	80

Product details and specifications are subject to change without notice.

For additional information, drawings, and specifications, contact factory.

35,000 LBS BOLLARD PULL.

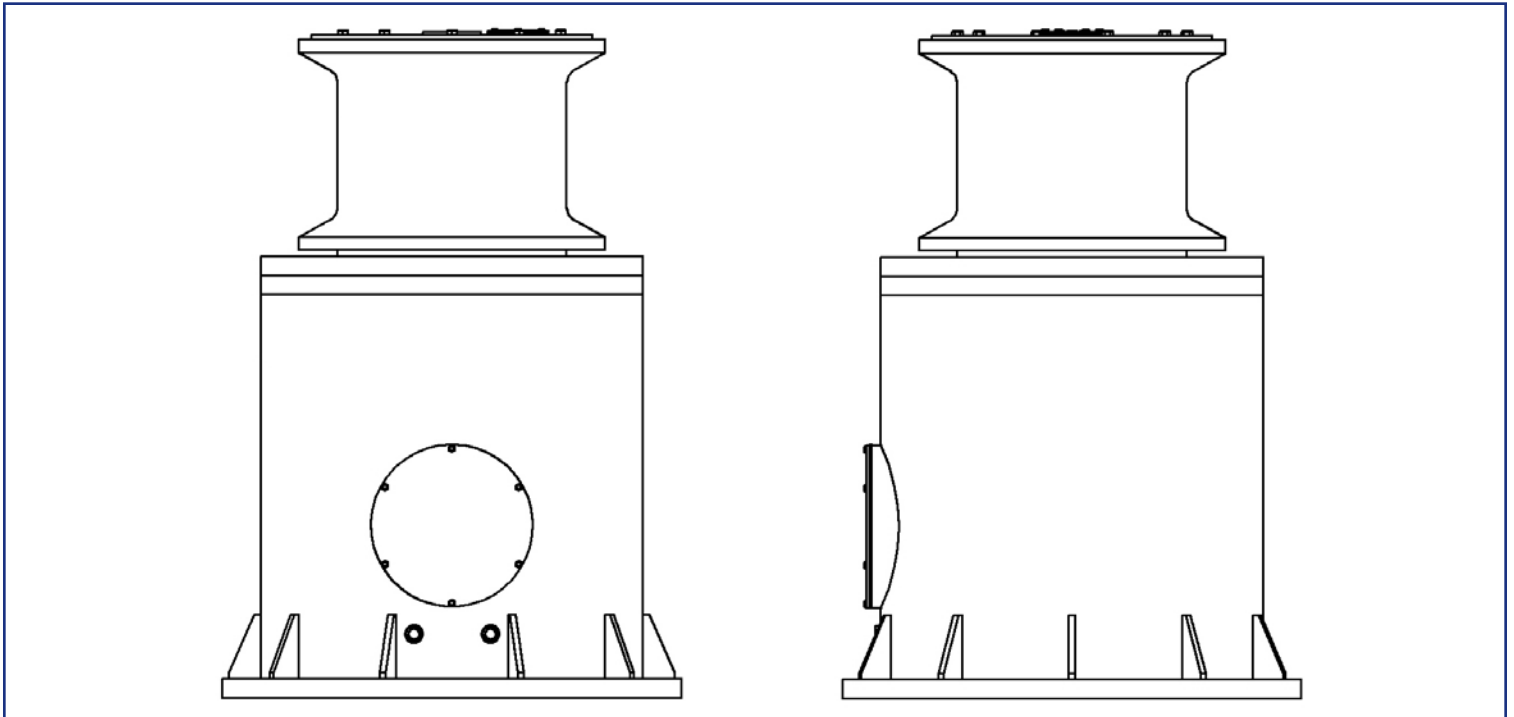
2 SPEED UNITS AVAILABLE.

Deck-Mounted Capstans

- Used by: U.S.N., U.S.C.G., U.S.A.C.E., Commercial Shipyards Worldwide
- Crane & Hoist Duty Motors (High Starting Torque)
- Weatherproof Motor & Magnetic Disc Brake 230/460 Volt
- Barrel Diameters: 18", 24" & 30"
- Available in Electric, Hydraulic & Explosion Proof
- Standard & Custom Control Packages
- Marine Paint Systems Available



Specifications



MODEL NUMBER	MOTOR HP	BARREL SIZE	STARTING PULL (LBS)	RUNNING PULL (LBS)	FPM
SA1817-15-30	15	18	45,000	15,000	30
SA2424-15-30	15	24	36,000	12,500	30
SA1817-20-30	20	18	52,500	17,500	30
SA2424-20-30	20	24	60,000	20,000	30
SA1817-25-30	25	18	67,000	22,500	30
SA2424-25-30	25	24	75,000	25,000	30
SA1817-30-30	30	18	82,000	27,500	30
SA2424-30-30	30	24	90,000	30,000	30
SA2424-40-30	40	24	94,000	37,500	30
SA3030-40-30	40	30	100,000	40,000	30
SA2424-50-30	50	24	118,000	47,500	30
SA3030-50-30	50	30	125,000	50,000	30

Product details and specifications are subject to change without notice.

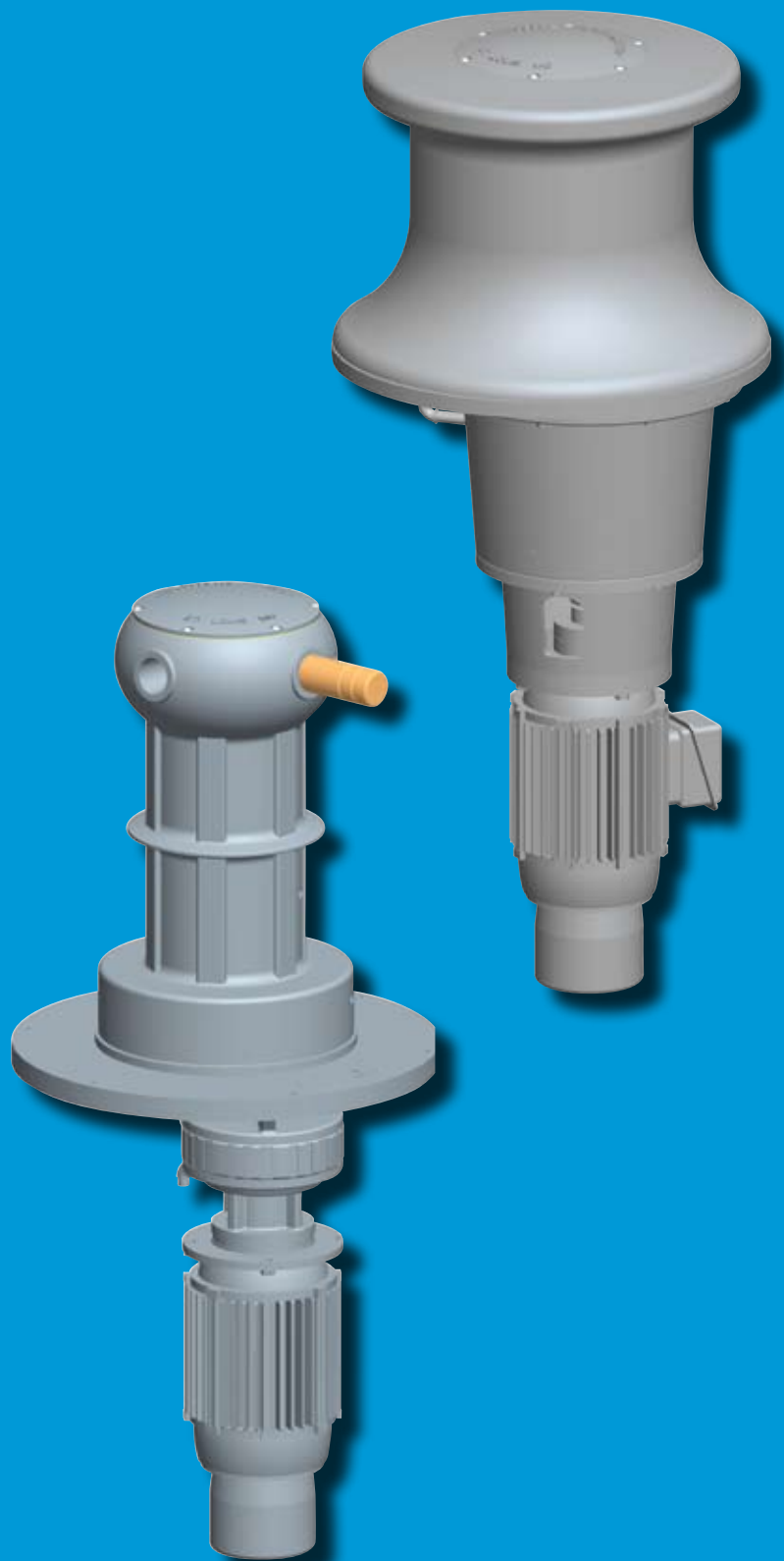
For additional information, drawings, and specifications, contact factory.

2 SPEED UNITS AVAILABLE.

CONTACT FACTORY FOR BOLLARD PULL RATINGS & VARIOUS LINE SPEEDS.

Thru-the-Deck Capstans

- Over 50 Years of Service
- Barge Moving, Buoy Handling, General Line Handling
- Used by: U.S.C.G., U.S.A.C.E. & Commercial Shipyards Worldwide
- Hundreds of Units in Service
- Up to 25 HP with a Variety of Line Pulls
- Crane & Hoist Duty Motors (High Starting Torque)
- Weatherproof Motor & Magnetic Disc Brake 230/460 Volt
- Wide Selection of Barrels
- Static (Bollard) Pull 100,000 Lbs
- Available in Electric, Hydraulic & Explosion Proof
- Standard & Custom Control Packages
- Marine Paint Systems Available



Specifications

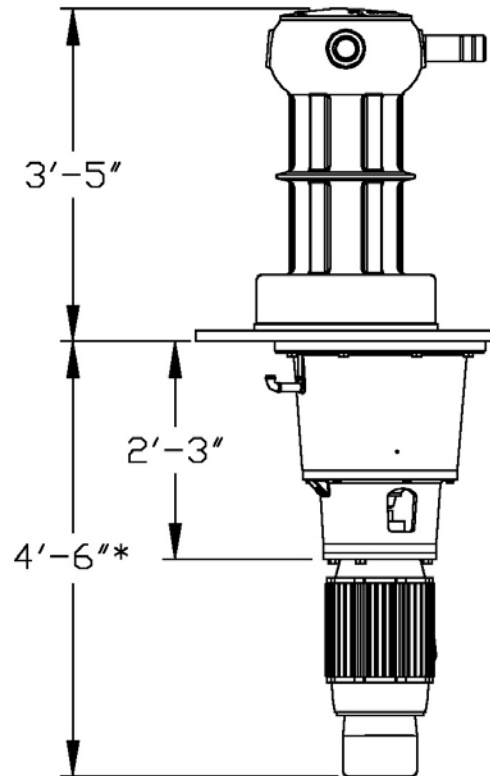
Barrel Types



14" Double Barrel, Whelped



14", 18" & 24"



Model 22300 Capstan

MOTOR HP	BARREL SIZE	STARTING PULL (LBS)	RUNNING PULL (LBS)	FPM
10	14	14,500	5,300	50
10	14	22,000	8,000	34
15	14	22,000	8,000	50
20	14	29,400	10,700	50
25	14	36,800	13,400	50
10	18	11,200	4,100	65
10	18	17,000	6,200	43
15	18	17,000	6,200	65
15	18	25,800	9,400	43
20	18	22,800	8,300	65
10	24	8,500	3,100	86
10	24	12,900	4,700	57
15	24	12,900	4,700	86
20	24	17,000	6,200	86

MOTOR HP	BARREL SIZE	STARTING PULL (LBS)	RUNNING PULL (LBS)	FPM
10/10	14	14,500/9,400	5,300/10,700	50/25
15/15	14	22,000/44,000	8,000/16,100	50/25
20/20	14	29,400/59,100	10,700/21,500	50/25
10/10	18	11,200/22,800	4,100/8,300	65/32
15/15	18	17,000/34,300	6,200/12,500	65/32
20/20	18	22,800/45,900	8,300/16,700	65/32
10/10	24	8,500/17,000	3,100/6,200	86/43
15/15	24	12,900/25,800	4,700/9,400	86/43
20/20	24	17,000/34,300	6,200/12,500	86/43

100,000 LBS BOLLARD PULL RATING ON ALL ABOVE CAPSTANS.

Product details and specifications are subject to change without notice.

For additional information, drawings, and specifications, contact factory.

Repair Service/ Exchange Program

Schoellhorn-Albrecht is U.S.C.G. Certified to repair and recondition capstans and winches. To help meet your needs better, we maintain fully warranted remanufactured capstans at our St. Louis facility and can ship an exchange capstan to your vessel without delay when it is critically needed or when it is convenient to your schedule. This program is in effect for Schoellhorn-Albrecht vertical mount 22300 series, our capstan/carpuller model SA1014 series, and the DRAVO type vertical mount capstan. Of course, we can also quickly repair your equipment if your schedule will allow.



Custom Capstans

Naval Base Kitsap

- Pier Capstans Used for Mooring Submarines
- 40 HP Two Speed



U.S.A.C.E. Capstans

- Vertical Thru-Deck Capstan for Towboats
- 15 HP Single Speed
- Cast Stainless Steel Barrel & Base

Coastal Aruba Refining

- Finger Pier Mooring Winches
- 5 HP Single Speed
- Explosion Proof Motor
- Special Epoxy Coating



Custom Engineering Services

- Project Management
- Custom Design Service
- 3D Modeling
- System Design Consulting

Fabrication and Machining Services

- Custom Fabrications
- Welders Certified To:
 - AWS D1.1
 - ABS Standards
 - Navsea S9074-AQ-GIB-010/248
- Mig & Tig Welders
- CNC Mill
- Paint Booth



Deck Machinery

Thru-Deck Capstan



Carpuller



Anchor Windlass



Above-Deck Capstan



Mooring Fittings

Chock



Roller Fairlead



Double Bitt



Four Roller Fairlead



Accommodation Ladders & Gangways

Deployed Ladder



Truss Style Gangway



Stowed Ladder



Beam Style Gangway



Special Projects

Rudder Horn



Shaft Strut



Bow Staple



Anchor

