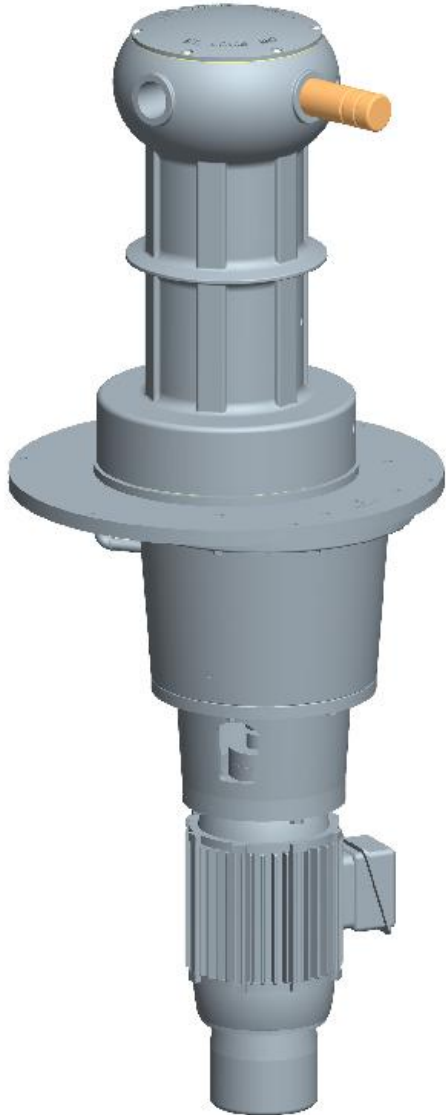


Thru Deck Capstan



*Electric or Hydraulic
5HP to 30HP
25 to 100 FPM
Bollard Pull—100,000 Lbs*