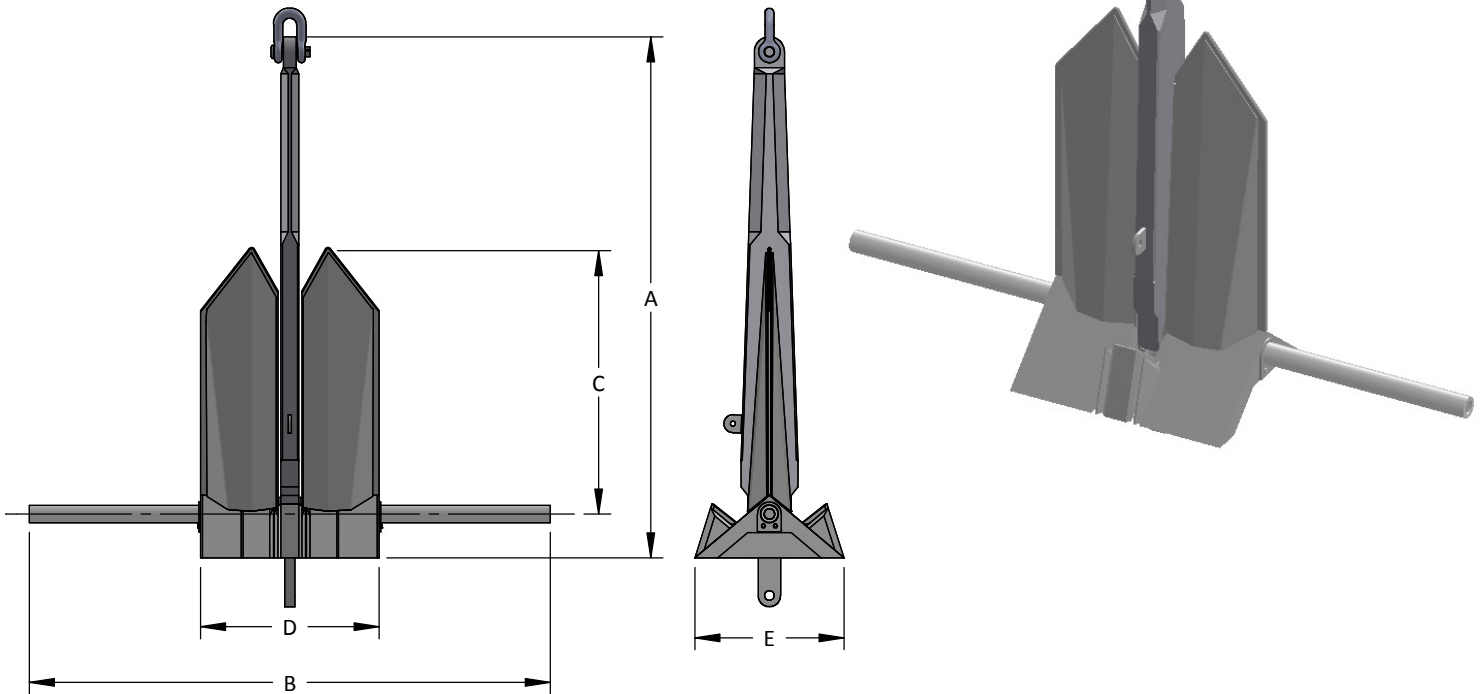


Navmoor Anchors

Navmoor Anchors

- Custom Coatings Available
- Optional hinged Stabilizer Bar



Model No.	DWG Revision	Size / Mass	A	B	C	D	E
6304532	B	100	3' - 4"	3' - 2"	1' - 9"	1' - 2"	1'
6139063	B	1,000	7' - 3"	7' - 3"	3' - 8"	2' - 6"	2'
6305485	F	2,000	9' - 5"	9' - 7"	4' - 11"	3' - 3"	2' - 8"
13228E5290	-	2,400					
3050572	B	18,000	18' - 4"	18' - 4"	9' - 9"	6' - 3"	5' - 3"

All dimensions are in inches and are subject to change.

