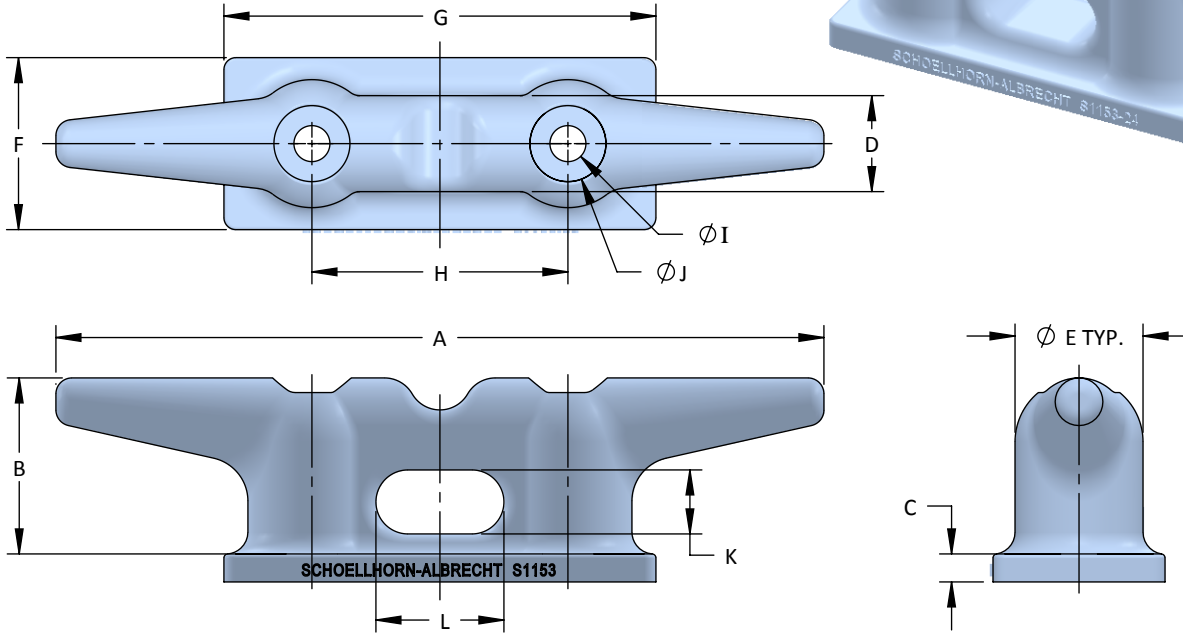
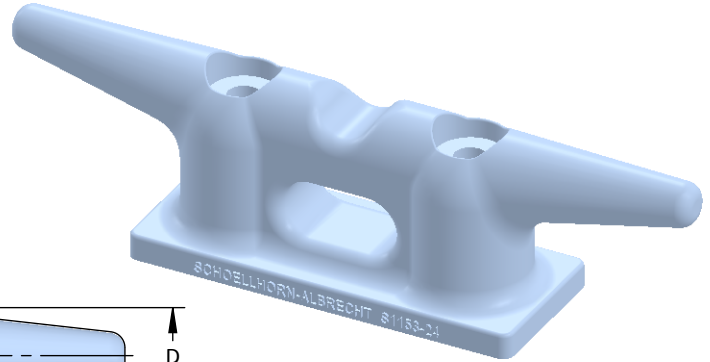


# Dock Cleats

## Heavy Duty Dock Cleats

- Anchor Bolts and Hardware Available
- Custom Coatings Available
- Custom Materials Available



Model No.	A	B	C	D	E	F	G	H	I	J	K	L	No. of Bolts
S1153-16	16	3-1/2	5/8	2	2-3/4	3-3/4	10	5-1/4	3/4	1-3/4	1	2-1/2	2
S1153-20	20	5	3/4	2-1/2	3-3/8	4-1/2	11	6-5/8	1-1/8	2-3/8	1-1/2	3-1/4	2
S1153-24	24	5-1/2	7/8	3	4	5-3/8	13-1/2	8	1-1/8	2-3/8	2	4	2
S1153-27	27	6-3/8	1	3-3/8	4-1/2	6	15	9	1-1/4	2-1/2	2-1/2	4-1/2	2
S1153-30	30	6-7/8	1-1/8	3-3/4	5	6-3/4	17	10	1-1/2	2-3/4	3	5	2
S1153-33	33	7-3/4	1-1/4	3-7/8	5-1/2	7-3/8	19	11	1-1/2	3	3-1/2	5-1/2	2
S1153-36	36	8-1/2	1-3/8	4-1/2	6	8	21	12	1-1/2	3-1/4	4	6	2
S1153-42	42	10-1/8	1-1/2	5-1/4	7	9-3/8	24	14	1-3/4	3-3/4	4-1/2	7	2
S1153-48	48	11-1/2	1-5/8	6	8	11-3/4	27	16	2	4	5	8	2
S1153-54	54	13	1-3/4	6-3/4	9	12	30	18	2-1/4	4-1/2	5-1/2	9	2

All dimensions are in inches and are subject to change.

