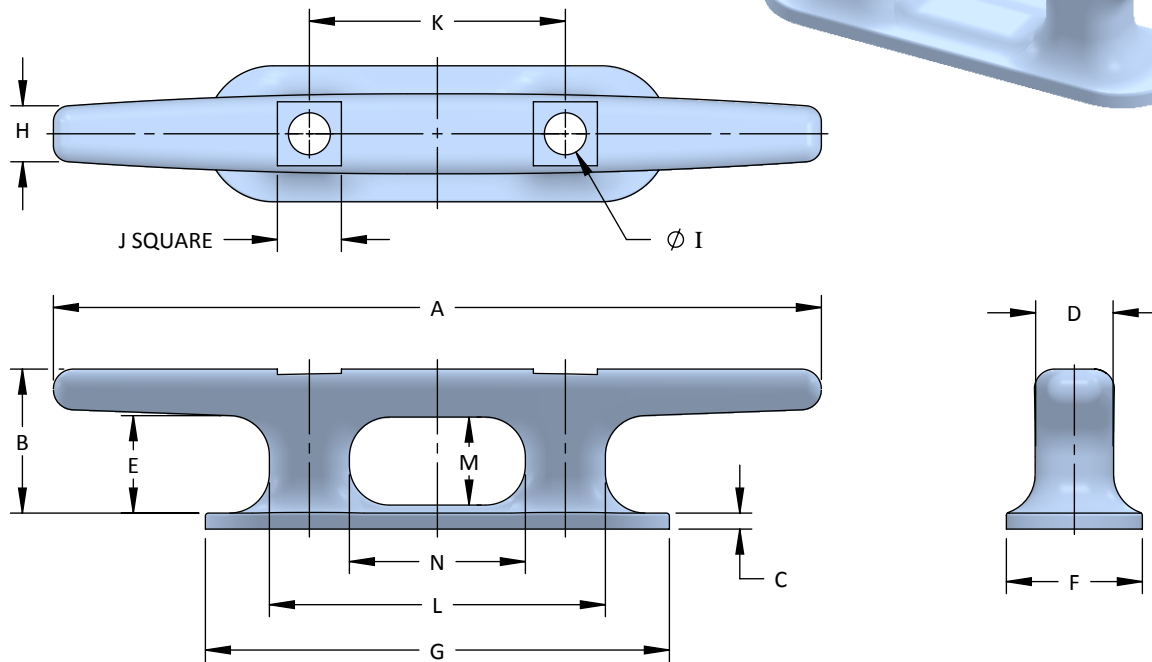
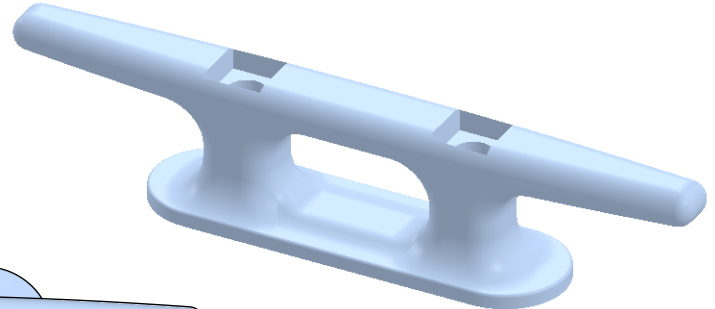


Dock Cleats

Dock Cleats

- Anchor Bolts and Hardware Available
- Custom Coatings Available
- Custom Materials Available



| Model No. | A | B | C | D | E | F | G | H | I | J | K | L | M | N | No. of Bolts |
|-----------|----|-------|-----|-------|-------|-------|--------|-------|--------|-------|-------|--------|-------|--------|--------------|
| S1200 | 12 | 2-3/8 | 3/8 | 1-1/4 | 1-1/2 | 2-1/8 | 7-1/4 | 1-1/8 | 5/8 | 3/4 | 4-1/2 | 5-1/2 | 1-3/8 | 3-1/2 | 2 |
| S1201 | 16 | 3 | 3/8 | 1-3/8 | 2 | 2-1/2 | 9 | 1-1/8 | 5/8 | 3/4 | 5-1/2 | 7 | 1-3/4 | 4 | 2 |
| S1202 | 18 | 3-1/4 | 1/2 | 1-1/2 | 2-1/8 | 2-3/4 | 10 | 1-1/4 | 13/16 | 1 | 6 | 7-3/4 | 1-7/8 | 4-1/4 | 2 |
| S1203 | 20 | 3-5/8 | 1/2 | 2 | 2-3/8 | 3-1/2 | 11-1/4 | 1-1/2 | 15/16 | 1-1/2 | 7 | 9-1/8 | 2-1/4 | 4-7/8 | 2 |
| S1204 | 24 | 4-1/2 | 1/2 | 2-1/2 | 3 | 4-1/4 | 14-1/2 | 1-3/4 | 1-5/16 | 2 | 8 | 10-1/2 | 2-3/4 | 5-1/2 | 2 |
| S1205 | 30 | 5-5/8 | 5/8 | 3-1/8 | 3-1/2 | 5-3/8 | 18-1/8 | 2-1/2 | 1-3/8 | 2-7/8 | 10 | 13-1/4 | 3-3/8 | 6-3/4 | 2 |
| S1206 | 36 | 6-3/4 | 3/4 | 4 | 4-1/2 | 6-1/2 | 21-3/4 | 3 | 1-3/4 | 3-1/4 | 12 | 15-1/2 | 4-1/4 | 8-1/2 | 2 |
| S1207 | 42 | 7-7/8 | 7/8 | 4-3/4 | 5-3/8 | 7-1/2 | 25-3/8 | 3-1/2 | 2 | 3-3/4 | 14 | 17-3/4 | 5-1/8 | 10-1/4 | 2 |
| S1208 | 48 | 9 | 1 | 5-1/2 | 6 | 8-1/2 | 29 | 4-1/4 | 2-1/2 | 4-1/2 | 16 | 20-1/2 | 5-3/4 | 11-1/2 | 2 |

All dimensions are in inches and are subject to change.

