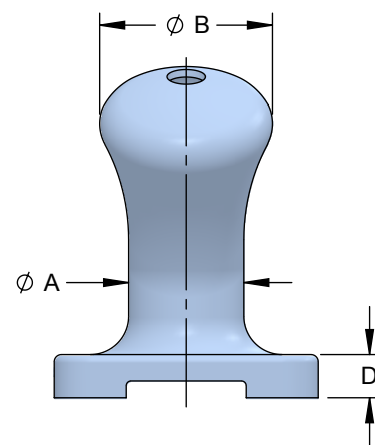
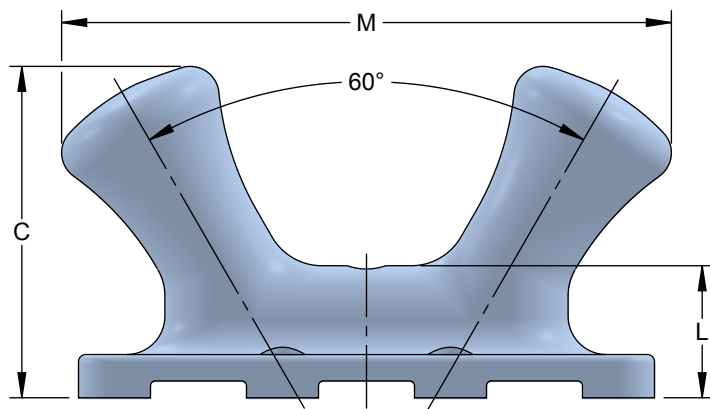
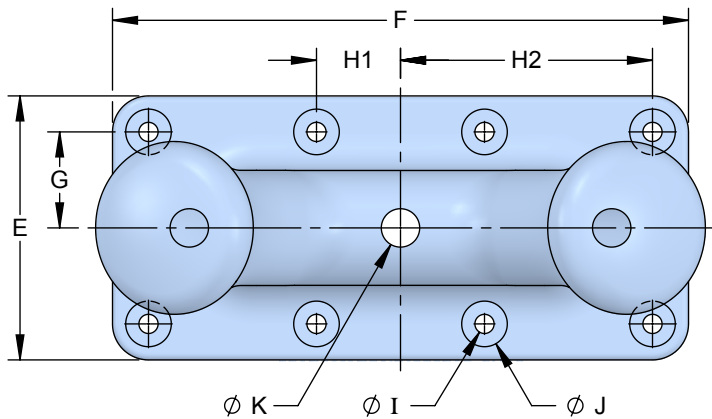
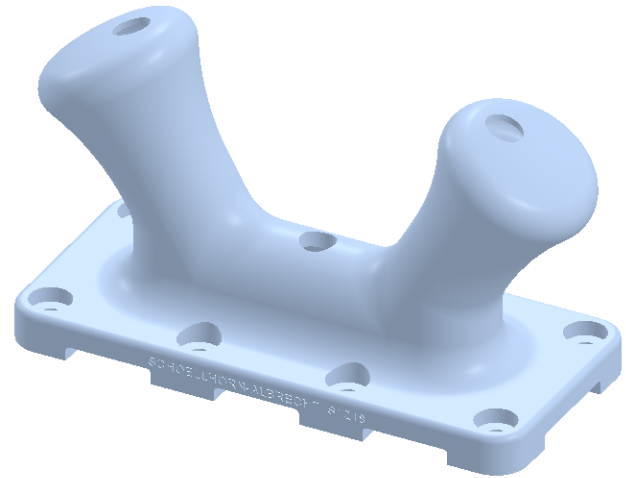


# Bollards

## Double Bitt Bollard

- Anchor Bolts and Hardware Available
- Custom Coatings and Materials Available
- Optional Grout Holes



Model No.	Safe Working Load per Bitt (Tons)	A	B	C	D	E	F	G	H1	H2	I	J	K	L	M	No. of Bolts
S1218	100	12	18	34-1/2	4-1/2	27-1/2	60	10	8-3/4	26-1/4	2	4-3/4	4	13-3/4	63-1/2	8

All dimensions are in inches and are subject to change.

