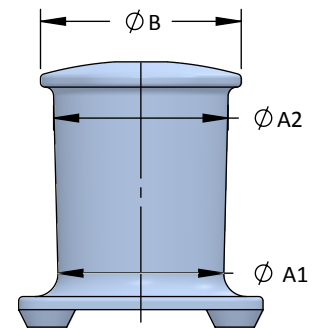
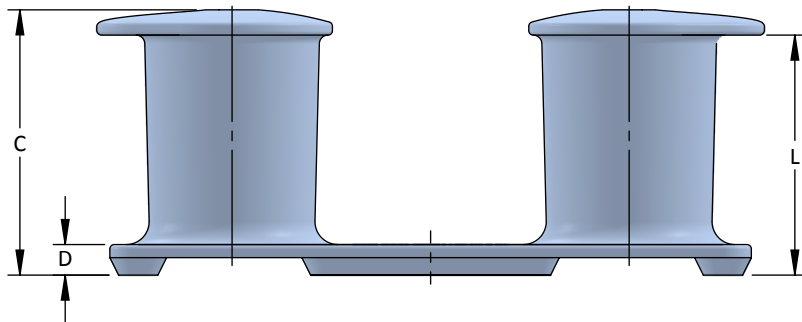
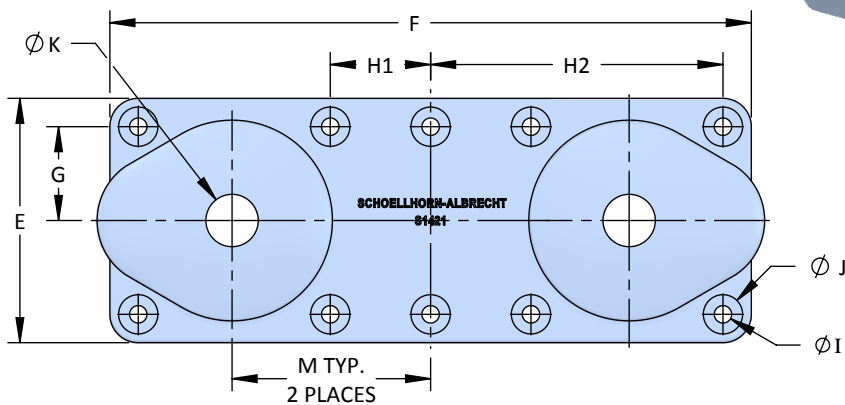
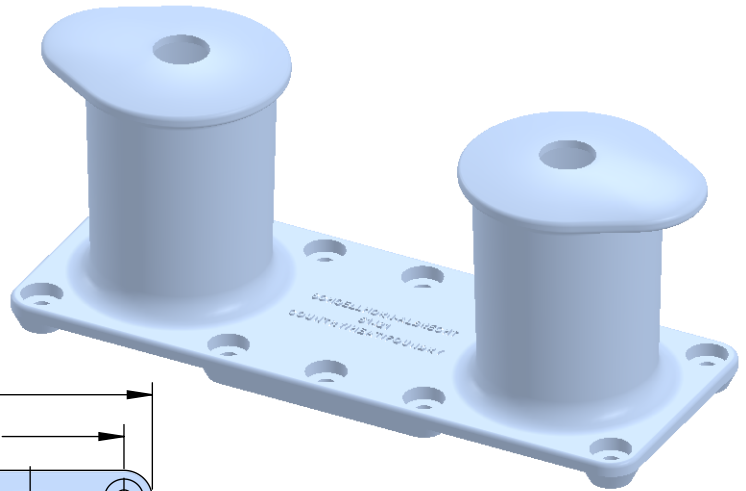


Bollards

Large Double Bitt With Lip

- Anchor Bolts and Hardware Available
- Custom Coatings and Materials Available
- Optional Grout Holes



Model No.	Safe Working Load per Bitt (Tons)	A1	A2	B	C	D	E	F	G	H1	H2	I	J	K	L	M	No. of Bolts
S1421	100	19	20	23	30-1/2	3-1/2	28	73-1/2	10-3/4	11-1/2	33-1/2	2	4-1/2	6	27-1/2	22-3/4	10

All dimensions are in inches and are subject to change.

