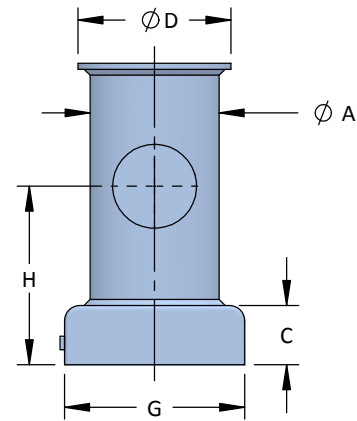
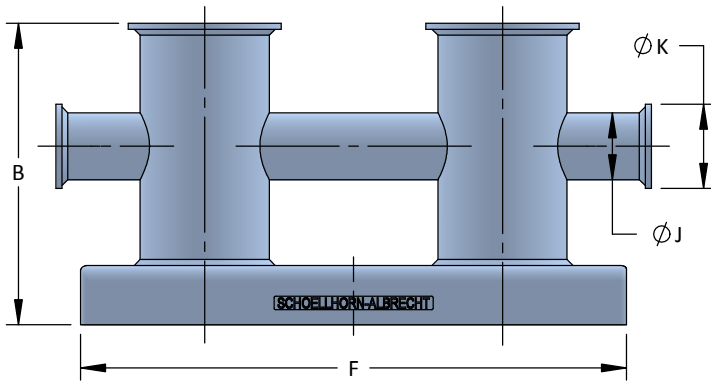
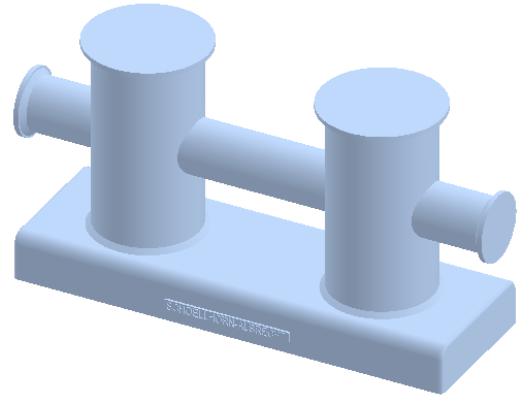
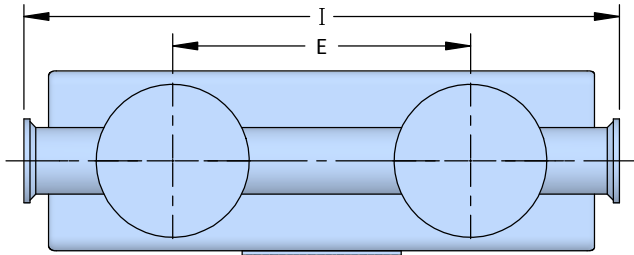


Double Bits

ISO3913 Double Cruciform Bitt

- Custom Coatings Available
- Custom Materials Available
- Safe Working Load Determined by ISO3913 Specification



Model No.	Safe Working Load per Bitt (Metric Tons)	Nominal Size	A	B	C	D	E	F	G	H	I	J	K
ISO3913-D070C	1	2 1/2	2 7/8	7 1/16	1 9/16	3 1/2	6 7/8	12 1/4	5 5/16	4 3/16	12 7/16	1 1/2	1 15/16
ISO3913-D090C	2	3	3 1/2	9 1/16	1 15/16	4 5/16	9 7/16	15 3/4	5 3/4	5 5/16	16	1 3/4	2 3/8
ISO3913-D100C	3	4	4 1/2	11 5/8	2 15/16	5 1/2	9 7/8	17 3/4	6 7/8	7 1/16	19 1/2	2 1/4	3
ISO3913-D125C	4	5	5 9/16	14 1/8	3 1/8	6 3/4	12 1/2	22	8	8 7/16	25	2 3/4	3 1/2
ISO3913-D160C	5	6	6 5/8	17 5/16	3 9/16	7 7/8	15 3/4	28 1/2	10	10 5/16	31 7/8	3 1/4	4 5/16
ISO3913-D200C	8	8	8 3/8	21 7/16	3 15/16	10 1/2	19 1/2	35 1/2	12	12 7/16	38 7/8	4 1/4	5 3/4
ISO3913-D250C	12	10	10 3/4	25	4 15/16	12 3/4	24 13/16	45 1/2	15	14 7/8	49 5/8	5 9/16	7
ISO3913-D315C	20	12	12 3/4	32 5/16	5 15/16	15 1/2	31 1/2	56 1/2	19	18 3/4	63 3/4	6 5/8	9
ISO3913-D400C	32	16	16	39 13/16	6 15/16	19 3/4	39 1/2	71 1/2	23 3/4	23 3/16	79 3/4	8 5/8	12 1/4

All dimensions are in inches and are subject to change.

