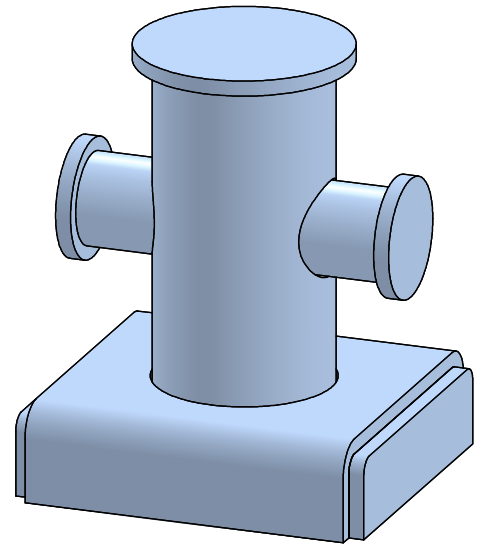
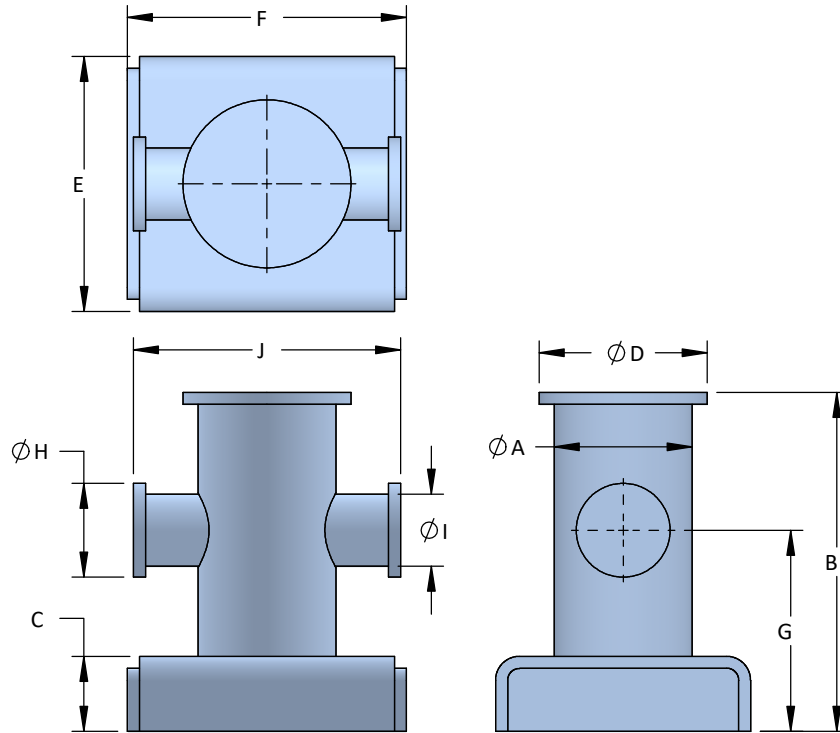


Single Bitts

ISO3913 Single Cruciform Bitt

- Custom Coatings Available
- Custom Materials Available



Model No.	Safe Working Load per Bitt (Metric Tons)	NOMINAL SIZE	A	B	C	D	E	F	G	H	I	J
ISO3913-S070C	2	2 1/2	2 7/8	7 1/16	1 9/16	3 1/2	5 5/16	5 3/8	4 3/16	1 15/16	1 1/2	5 9/16
ISO3913-S090C	4	3	3 1/2	9 1/16	1 15/16	4 5/16	5 3/4	6 5/16	5 5/16	2 3/8	1 3/4	6 9/16
ISO3913-S100C	6	4	4 1/2	11 5/8	2 15/16	5 1/2	6 7/8	7 7/8	7 1/16	3	2 1/4	9 5/8
ISO3913-S125C	8	5	5 9/16	14 3/8	3 1/8	6 3/4	8	9 1/2	8 7/16	3 1/2	2 3/4	12 1/2
ISO3913-S160C	10	6	6 5/8	17 5/16	3 9/16	7 7/8	10	12 3/4	10 5/16	4 5/16	3 1/4	16 1/8
ISO3913-S200C	16	8	8 5/8	21 7/16	3 15/16	10 1/2	12	16	12 7/16	5 3/4	4 1/4	19 3/8
ISO3913-S250C	24	10	10 3/4	25	4 15/16	12 3/4	15	20 11/16	14 7/8	7	5 9/16	24 13/16
ISO3913-S315C	40	12	12 3/4	32 5/16	5 15/16	15 1/2	19	25	18 3/4	9	6 5/8	32 1/4
ISO3913-S400C	64	16	16	39 13/16	6 15/16	19 3/4	23 3/4	32	23 3/16	12 3/4	8 5/8	40 1/4

All dimensions are in inches and are subject to change.

