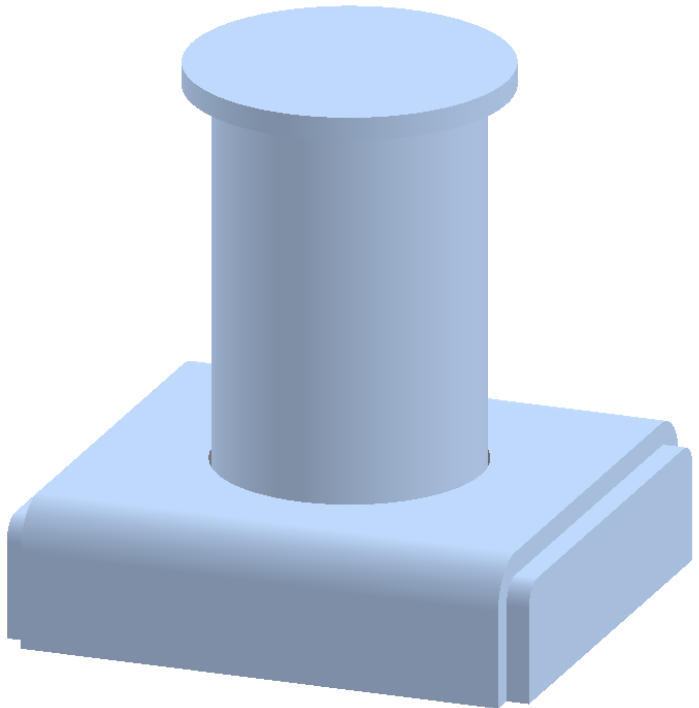
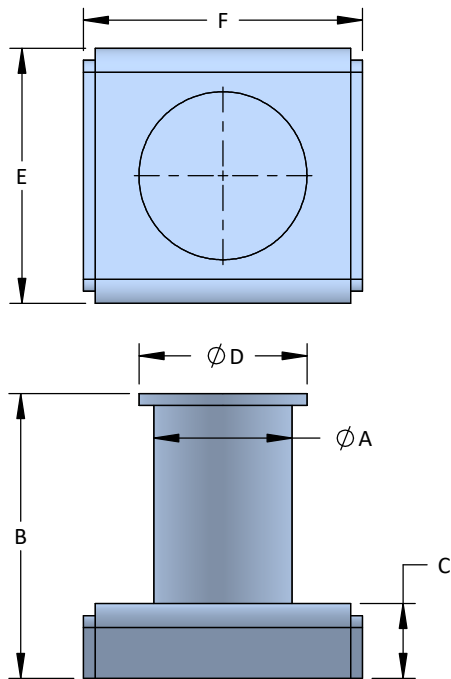


# Single Bitts

## ISO3913 Single Bitt

- Custom Coatings Available
- Custom Materials Available



Model No.	Safe Working Load per Bitt (Metric Tons)	NOMINAL SIZE	A	B	C	D	E	F
ISO3913-S070	2	2 1/2	2 7/8	5 15/16	1 9/16	3 1/2	5 5/16	5 3/8
ISO3913-S090	4	3	3 1/2	7 7/16	1 15/16	4 5/16	5 3/4	6 5/16
ISO3913-S100	6	4	4 1/2	9 3/16	2 15/16	5 1/2	6 7/8	7 7/8
ISO3913-S125	8	5	5 9/16	11	3 1/8	6 3/4	8	9 1/2
ISO3913-S160	10	6	6 5/8	13 13/16	3 9/16	7 7/8	10	12 3/4
ISO3913-S200	16	8	8 5/8	16 3/16	3 15/16	10 1/2	12	16
ISO3913-S250	24	10	10 3/4	20 7/16	4 15/16	12 3/4	15	20 11/16
ISO3913-S315	40	12	12 3/4	25 7/16	5 15/16	15 1/2	19	25
ISO3913-S400	64	16	16	31 7/16	6 15/16	19 3/4	23 3/4	32
ISO3913-S500	94	20	20	38 3/8	7 7/8	24 1/2	29 1/2	39 1/4

All dimensions are in inches and are subject to change.

