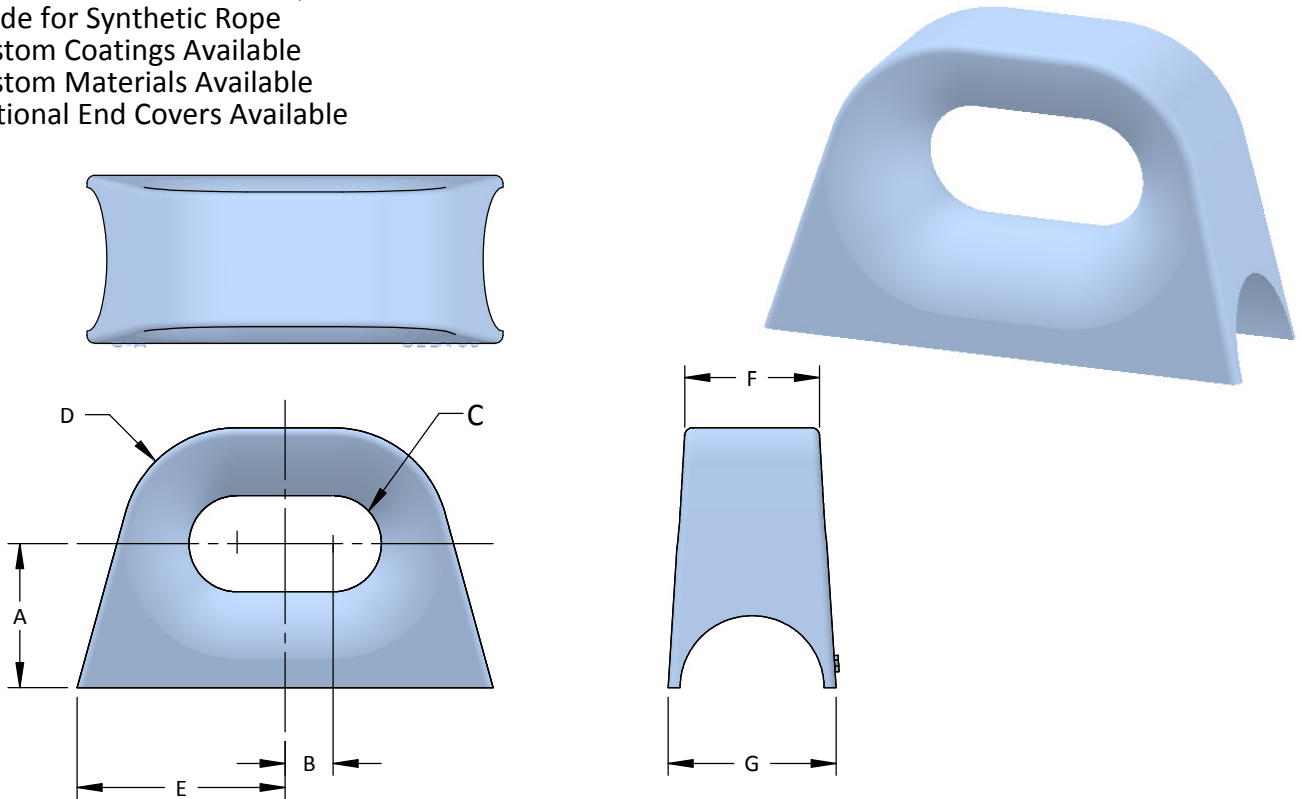


# Chocks

## Navsea 804-1843363, Rev. A; Chocks for Synthetic Rope

- Cast Material: ASTM A148, Gr. 90-60
- Made for Synthetic Rope
- Custom Coatings Available
- Custom Materials Available
- Optional End Covers Available



Model No.	ROPE CIRC.	ROPE BREAK STRENGTH (lbs)	SIZE CHOCK	A	B	C RAD	D RAD	E	F	G
804-1843363-6	3	26,800	6	4 ½	1 ½	1 ½	3 ⅝	6 ½	4 ¼	5 ¼
804-1843363-10	5	73,000	10	6	2 ½	2 ½	5 ¼	9 ½	5 ½	6 ½
804-1843363-13	6 ½	123,000	13	7 ½	3 ¼	3 ¼	6 ⅜	11 ½	6 ¼	7 ½
804-1843363-16	8	181,000	16	9	4	4	7 ¾	14	7 ½	9
804-1843363-20	10	277,000	20	13 ¾	5	5	12	19 ⅜	14	16
804-1843363-24	12	417,000	24	13 ½	6	6	11 ¾	20	11 ½	13 ½

All dimensions are in inches and are subject to change.

