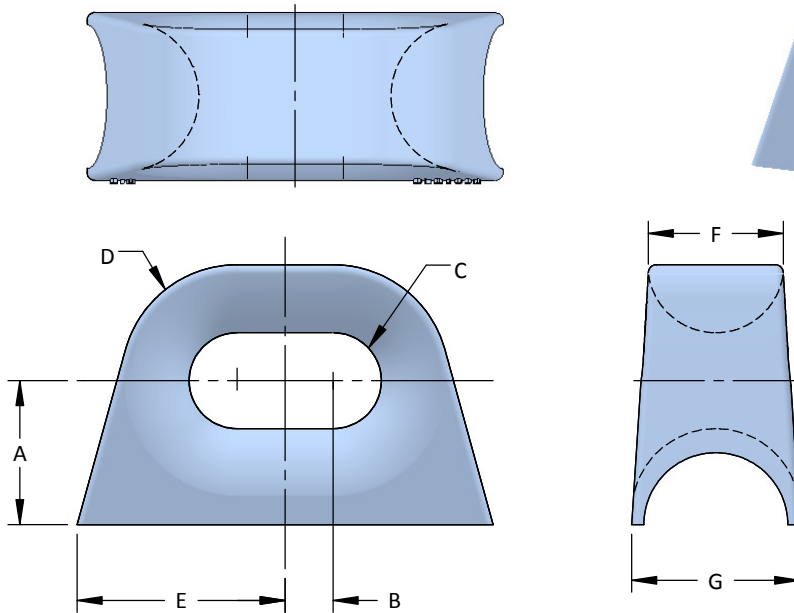
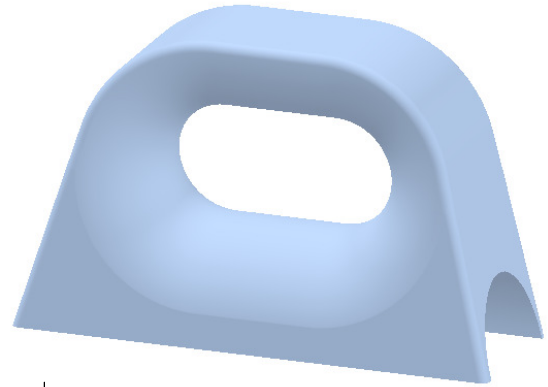


Chocks

Navsea 805-1843363; Chocks for Nylon Rope

- Cast Material: ASTM A27, Gr. 60-30
- Made for Nylon Rope
- Custom Coatings Available
- Custom Materials Available
- Optional End Covers Available



Model No.	ROPE CIRC.	ROPE BREAK STRENGTH (lbs)	SIZE CHOCK	A	B	C RAD	D RAD	E	F	G
805-1843363-6	3	22,000	6	4 ½	1 ½	1 ½	3 ⅝	6 ½	4 ¼	5 ¼
805-1843363-8	4	37,500	8	5 ½	2	2	4 ½	8	5	6
805-1843363-10	5	57,000	10	6	2 ½	2 ½	5 ¼	9 ½	5 ½	6 ½
805-1843363-12	6	74,000	12	7	3	3	6	11	6	7
805-1843363-14	7	110,000	14	8	3 ½	3 ½	6 ¾	12	6 ½	7 ¾
805-1843363-16	8	137,000	16	9	4	4	7 ¾	14	7 ½	9
805-1843363-18	9	170,000	18	10	4 ½	4 ½	8 ½	15	8	10
805-1843363-20	10	200,000	20	10 ½	5	5	9 ¼	16	8 ½	10 ½

All dimensions are in inches and are subject to change.

