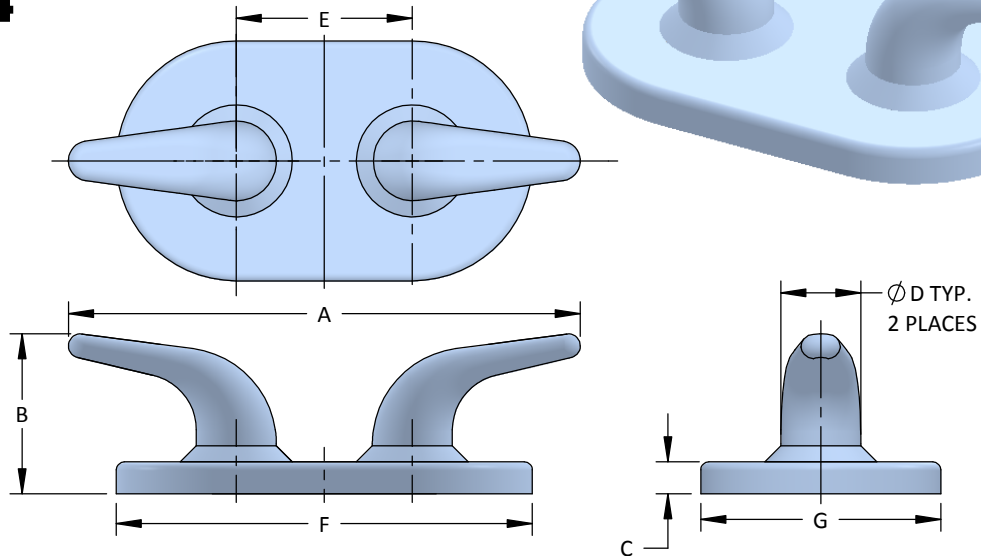


Cleats

Welded Horn Cleats Navsea 804-2276338 - Rev. A or ASTM F1074

- Custom Coatings and Materials Available
- NAVSEA 804-2276338 horns = forged
- ASTM F1074 horns = cast



Model No.	SIZE A	B	C	D	E	F	G
S1139-5	5	1 ⁵ / ₈	³ / ₈	⁷ / ₈	1 ¹³ / ₁₆	4 ⁷ / ₁₆	2 ⁵ / ₈
S1139-6.5	6 ¹ / ₂	2 ¹ / ₁₆	⁷ / ₁₆	1 ¹ / ₈	2 ³ / ₈	5 ³ / ₄	3 ³ / ₈
S1139-8	8	2 ¹ / ₂	¹ / ₂	1 ¹ / ₄	2 ³ / ₄	6 ¹ / ₂	3 ³ / ₄
S1139-10	10	3 ¹ / ₁₆	⁹ / ₁₆	1 ¹ / ₂	3 ³ / ₈	7 ⁷ / ₈	4 ¹ / ₂
S1139-12	12	3 ⁵ / ₈	⁵ / ₈	1 ³ / ₄	4	9 ¹ / ₄	5 ¹ / ₄
S1139-14	14	4 ¹ / ₄	³ / ₄	2 ¹ / ₈	4 ³ / ₄	11 ¹ / ₈	6 ³ / ₈
S1139-16	16	4 ⁷ / ₈	⁷ / ₈	2 ¹ / ₂	5 ¹ / ₂	13	7 ¹ / ₂
S1139-18	18	5 ¹ / ₂	1	2 ³ / ₄	6 ¹ / ₈	14 ³ / ₈	8
S1139-20	20	6 ¹ / ₈	1 ¹ / ₈	3 ¹ / ₈	6 ⁷ / ₈	16 ¹ / ₄	9 ³ / ₈
S1139-22	22	6 ³ / ₄	1 ¹ / ₄	3 ¹ / ₂	7 ⁵ / ₈	18 ¹ / ₈	10 ¹ / ₂
S1139-24	24	7 ³ / ₈	1 ³ / ₈	3 ³ / ₈	8 ³ / ₈	20	11 ⁵ / ₈
S1139-26	26	8	1 ¹ / ₂	4 ¹ / ₄	9 ¹ / ₈	22 ⁷ / ₈	13 ³ / ₄
S1139-30	30	9 ¹ / ₈	1 ⁵ / ₈	4 ³ / ₄	10 ³ / ₈	24 ⁵ / ₈	14 ¹ / ₄
S1139-34	34	10 ¹ / ₄	1 ³ / ₄	5 ¹ / ₄	11 ¹ / ₂	26 ⁷ / ₈	15 ³ / ₈
S1139-36	36	11 ³ / ₈	2 ¹ / ₄	6	12 ³ / ₄	29 ¹ / ₄	16 ¹ / ₂
S1139-42	42	13 ¹¹ / ₁₆	3	7	14 ⁷ / ₈	34 ¹ / ₈	19 ¹ / ₄

All dimensions are in inches and are subject to change.

