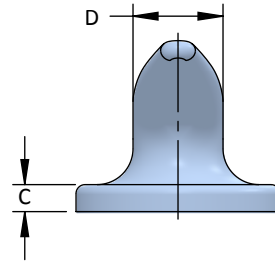
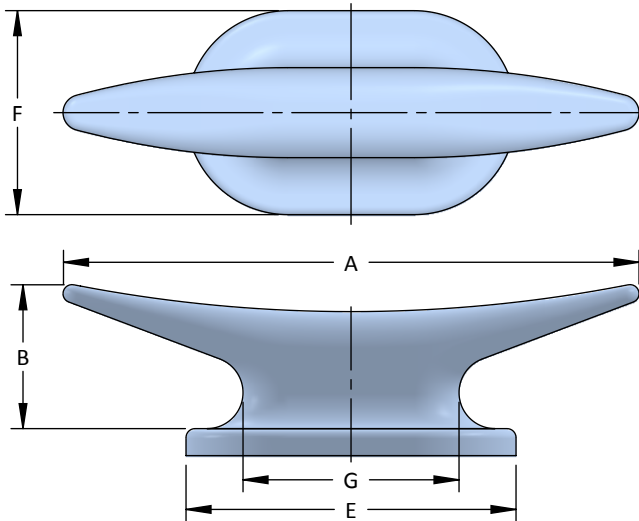
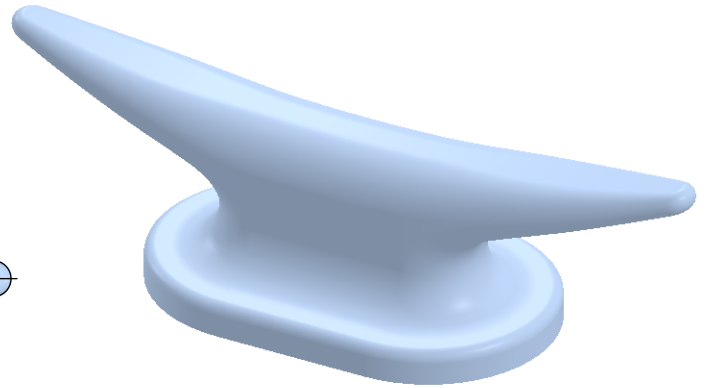


Cleats

Navsea 804 860099 Welded Pad Cleat

- Custom Coatings Available
- Custom Materials Available



Model No.	SIZE A	B	C	D	E	F	G
S1460-5	5	1 $\frac{1}{4}$	$\frac{1}{4}$	$\frac{25}{32}$	2 $\frac{3}{4}$	1 $\frac{3}{4}$	1 $\frac{7}{8}$
S1460-6	6 $\frac{1}{2}$	1 $\frac{5}{8}$	$\frac{5}{16}$	1	3 $\frac{5}{8}$	2 $\frac{1}{4}$	2 $\frac{7}{16}$
S1460-8	8	2	$\frac{3}{8}$	1 $\frac{1}{4}$	4 $\frac{1}{2}$	2 $\frac{3}{4}$	3
S1460-10	10	2 $\frac{1}{2}$	$\frac{7}{16}$	1 $\frac{9}{16}$	5 $\frac{5}{8}$	3 $\frac{1}{2}$	3 $\frac{3}{4}$
S1460-12	12	3	$\frac{9}{16}$	1 $\frac{7}{8}$	6 $\frac{7}{8}$	4 $\frac{1}{4}$	4 $\frac{1}{2}$
S1460-14	14	3 $\frac{1}{2}$	$\frac{5}{8}$	2 $\frac{3}{16}$	8	5	5 $\frac{1}{4}$
S1460-16	16	4	$\frac{3}{4}$	2 $\frac{1}{2}$	9 $\frac{1}{8}$	5 $\frac{5}{8}$	6
S1460-18	18	4 $\frac{1}{2}$	$\frac{7}{8}$	2 $\frac{13}{16}$	10 $\frac{3}{8}$	6 $\frac{3}{8}$	6 $\frac{3}{4}$
S1460-20	20	5	$\frac{15}{16}$	3 $\frac{1}{8}$	11 $\frac{1}{2}$	7 $\frac{1}{8}$	7 $\frac{1}{2}$
S1460-22	22	5 $\frac{1}{2}$	1	3 $\frac{7}{16}$	12 $\frac{5}{8}$	7 $\frac{7}{8}$	8 $\frac{1}{4}$
S1460-24	24	6	1 $\frac{1}{8}$	3 $\frac{3}{4}$	13 $\frac{3}{4}$	8 $\frac{1}{2}$	9
S1460-26	26	6 $\frac{1}{2}$	1 $\frac{1}{4}$	4 $\frac{1}{16}$	15	9 $\frac{3}{8}$	9 $\frac{3}{4}$
S1460-30	30	7 $\frac{1}{2}$	1 $\frac{1}{2}$	4 $\frac{11}{16}$	17 $\frac{1}{8}$	10 $\frac{5}{8}$	11 $\frac{1}{4}$
S1460-36	36	9	1 $\frac{3}{4}$	5 $\frac{5}{8}$	20 $\frac{5}{8}$	12 $\frac{3}{4}$	13 $\frac{1}{2}$

All dimensions are in inches and are subject to change.

