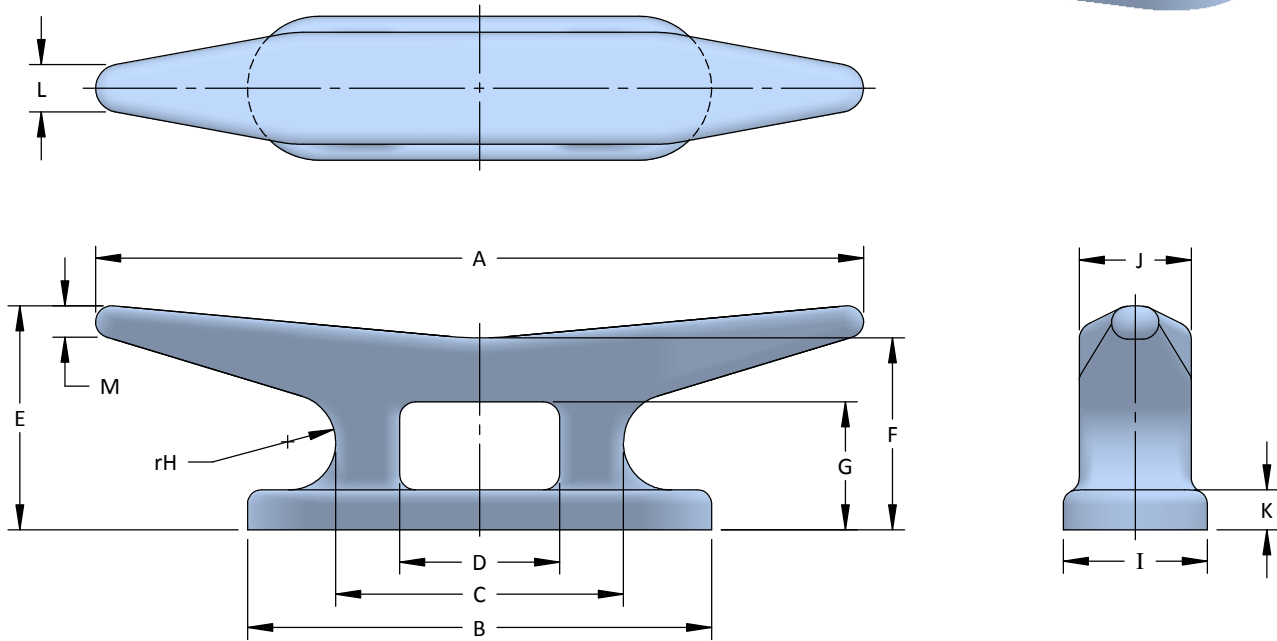
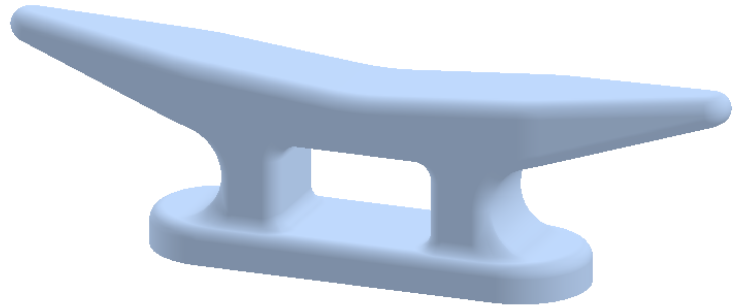


Kevel

Flat Kevel

- Custom Coatings Available
- Custom Materials Available



Model No.	SIZE A	B	C	D	E	F	G	H	I	J	K	L	M
S1126-12	12	7 1/4	4 1/2	2 1/2	3 1/2	3	2	3/4	2 1/4	1 3/4	5/8	3/4	1/2
S1126-18	18	10 7/8	6 3/4	3 3/4	5 1/4	4 1/2	3	1	3 1/4	2 3/8	3/4	1 1/8	3/4
S1126-24	24	14 1/2	9	5	7	6	4	1 1/2	4 1/4	2 7/8	1	1 1/2	1
S1126-30	30	18 1/8	11 1/4	6 1/4	8 3/4	7 1/2	5	1 7/8	5 3/8	3 5/8	1 1/4	1 7/8	1 1/4
S1126-36	36	21 3/4	13 1/2	7 1/2	10 1/2	9	6	2 1/4	6 1/2	4 3/8	1 1/2	2 1/4	1 1/2
S1126-42	42	25 3/8	15 3/4	8 3/4	12 1/4	10 1/2	7	2 5/8	7 1/2	5	1 3/4	2 5/8	1 3/4

All dimensions are in inches and are subject to change.

