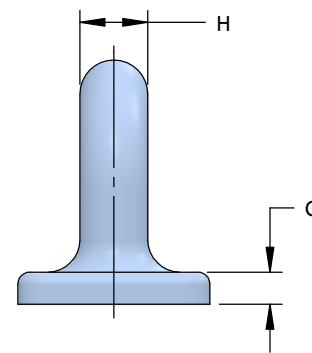
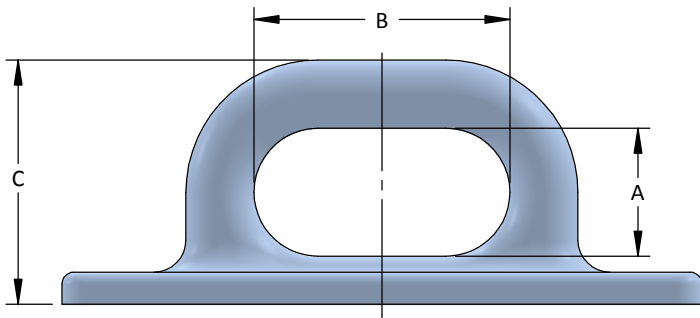
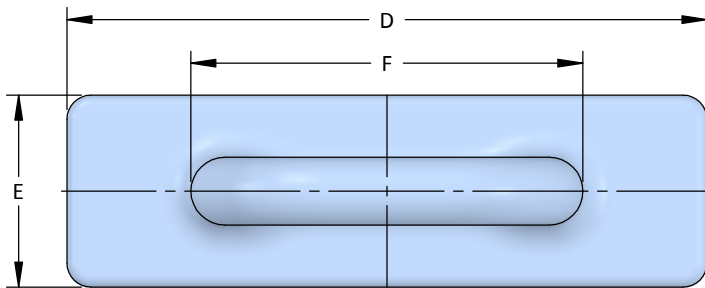
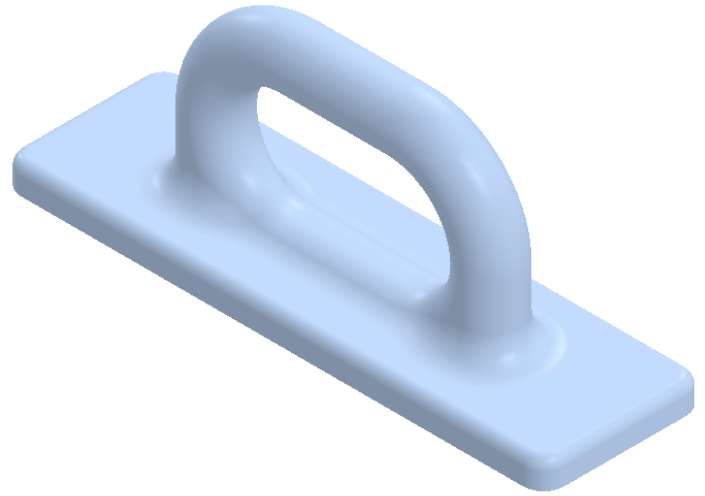


Mooring Rings

Cast D-Rings

- Custom Coatings Available
- Custom Materials Available



Model No.	A	B	C	D	E	F	G	H
S310	4	8	7-5/8	20	6	12-1/4	1	2-1/8
S312	5	10	10	24	8	15	1-1/4	2-1/2

All dimensions are in inches and are subject to change.

