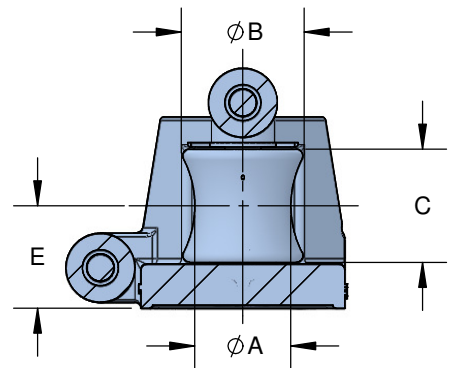
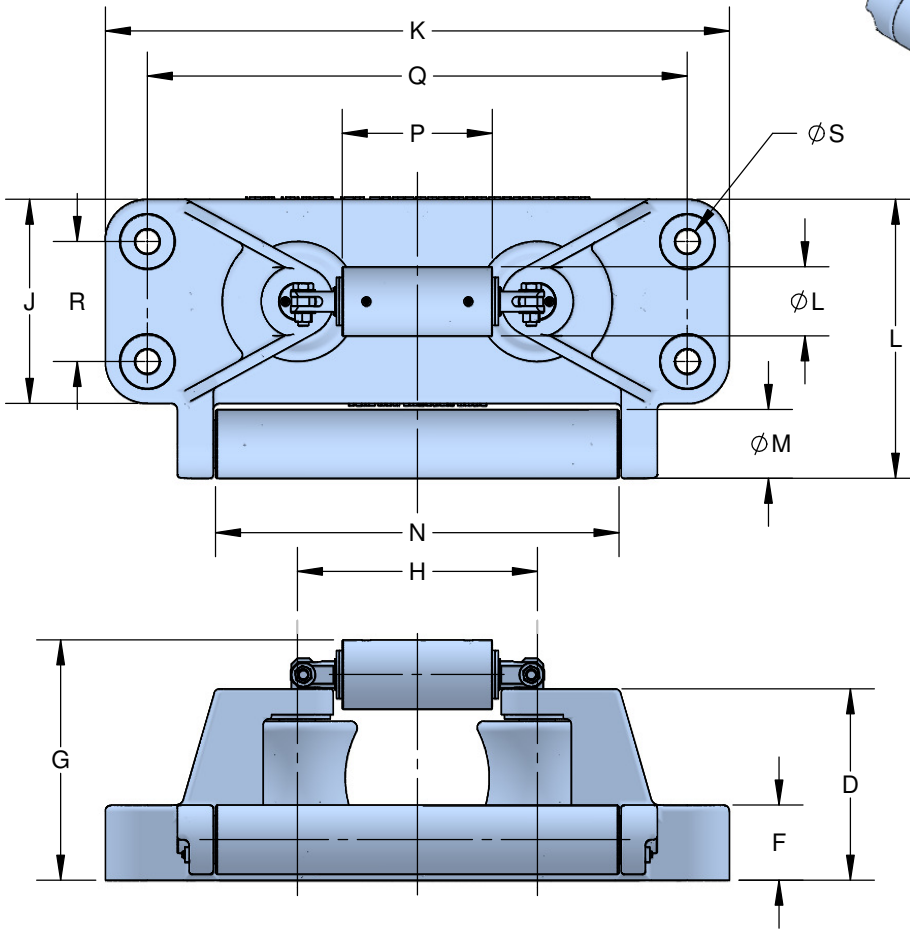
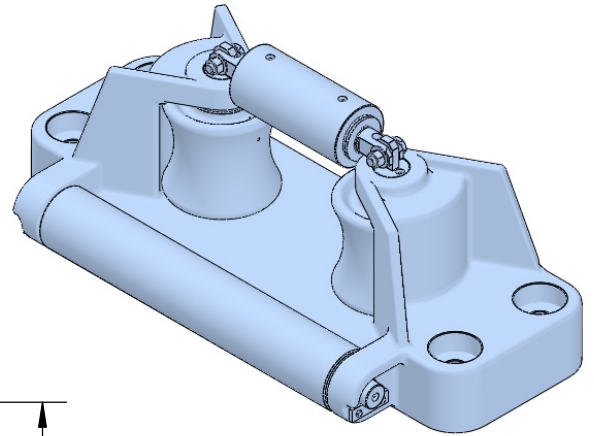


Roller Chocks

Four Roller Chock

- Custom Coatings Available
- Custom Materials Available



Model No.	A	B	C	D	E	F	G	H	J	K	L	M	N	P	Q	R	S
4S1300	8	9 ⁷ / ₈	9 ⁷ / ₁₆	15 ¹⁵ / ₁₆	8 ¹ / ₂	6 ¹ / ₄	20	20	17	52	23 ¹ / ₄	5 ³ / ₄	33 ⁵ / ₈	12 ¹ / ₂	45	10	2 ¹ / ₂

For composite roller material, add "-POLY" to part No., i.e. 4S1300-POLY

All dimensions are in inches and are subject to change.

