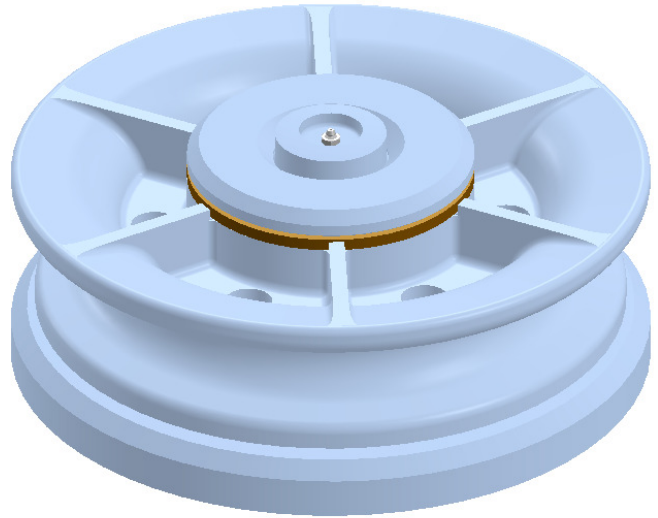
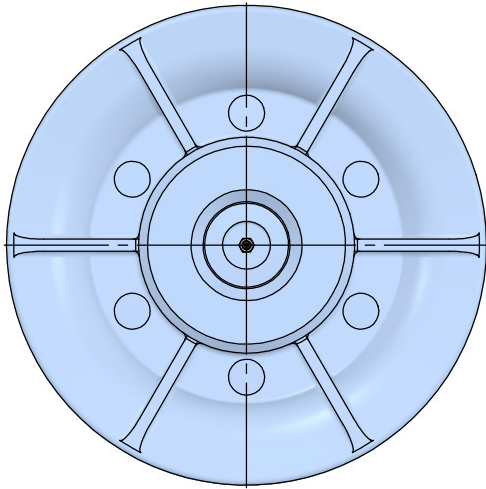


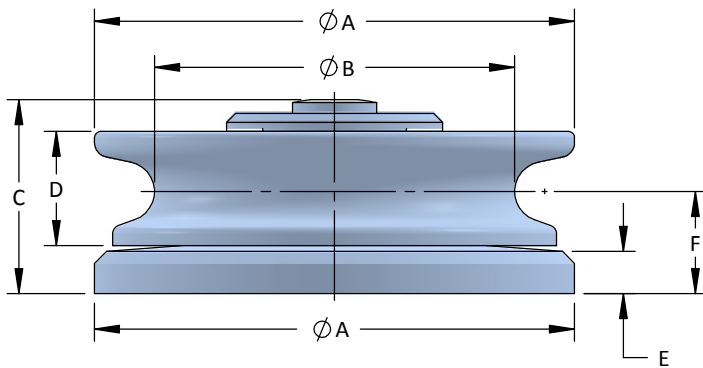
Roller Chocks

Single Roller Chocks

- Custom Coatings Available
- Custom Materials Available



SINGLE ROLLER CHOCK WITH OPTIONAL BASE



Model No.	SIZE A	B	C	D	E	F
S1091	20	15	8 $\frac{1}{16}$	4 $\frac{3}{4}$	1 $\frac{3}{4}$	4 $\frac{1}{8}$

For composite roller material, add "-POLY" to part No., i.e. S1091-POLY



All dimensions are in inches and are subject to change.

