

PEDESTAL ROLLER FAIRLEAD

ROLLER FAIRLEAD WITH HORN

Bronze Bushing Interior
Grease Lubricated with fittings
Weld Down Base
Cast Steel Construction

Available Options:

Custom Rollers for Synthetic Rope
Custom Sized Mounting Bases
Custom Painting



CUSTOM ROLLERS FOR SYNTHETIC ROPE



STAINLESS STEEL ROLLER

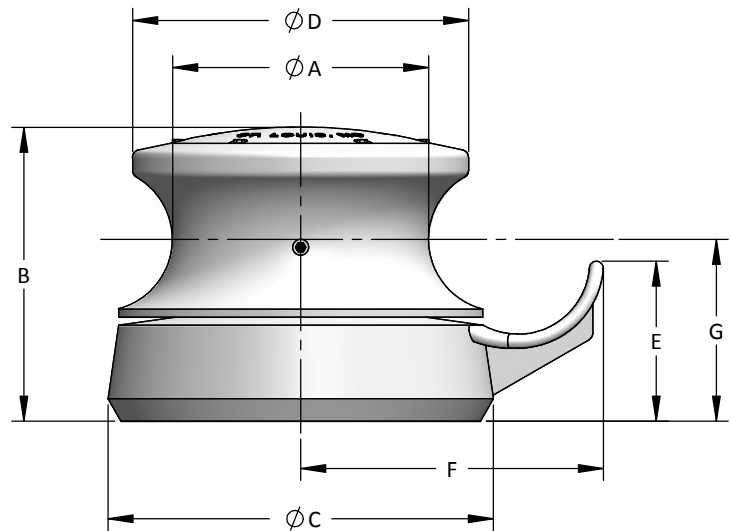


COMPOSITE ROLLER

PEDSTAL ROLLER WITH OPTIONAL BASE



(CUSTOMIZED
CONICAL BASE TO
MEET ANY
SPECIFICATIONS)



Model No.	SIZE Ø A	B	Ø C	Ø D	E	F	G
S1068-8	8	12 1/2	14 3/4	11 1/2	8 1/2	13 1/2	8 1/16
S1068-10	10	15 3/4	17 3/4	13 1/2	10	15 3/4	10 1/2
S1068-12	12	16	19 11/16	15 1/2	9	16	10 5/8
S1068-14	14	16 1/2	21 11/16	17 1/2	10	18	10 9/16
S1068-16	16	18 3/8	24 1/8	21	10	18	11 3/8
S1068-18	18	21 7/8	29 3/8	22	12	22 7/16	13 7/8
S1068-20	20	22 15/16	34 3/8	24	11 1/2	27 1/2	14 1/2

All dimensions are in inches and are subject to change.

