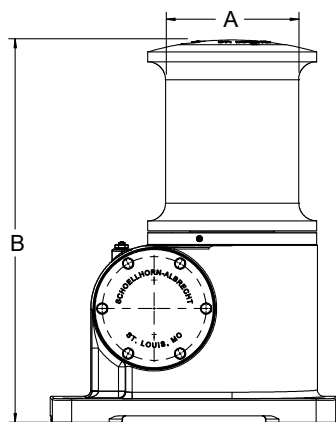
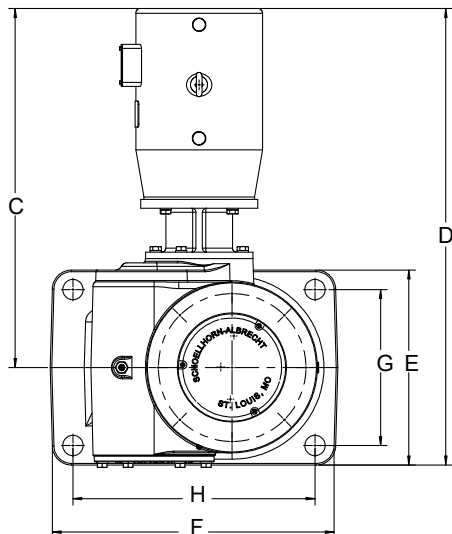


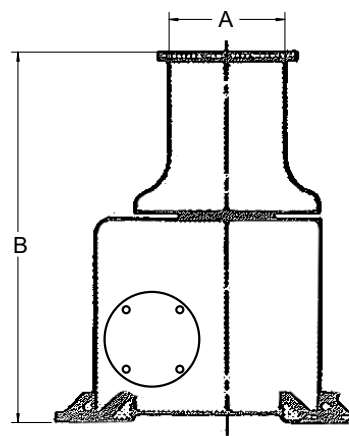
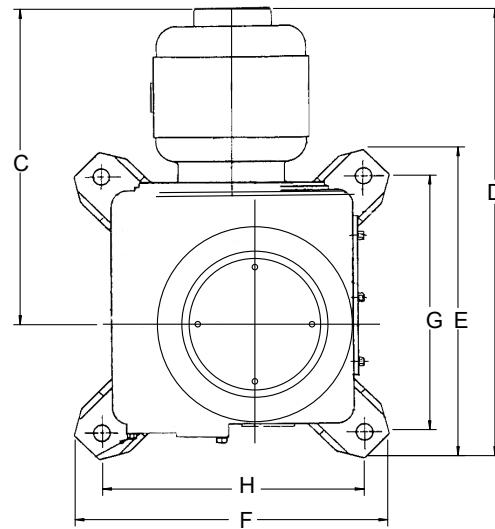
Capstan Comparison



**Schoellhorn-Albrecht
SA1214-5-48**



**Pull-Pak
55A**



| Company | Part No. | Motor HP | Rope Speed (FPM) | Starting Pull (LBS) | Running Pull (LBS) | A | B | C | D | E | F | G | H |
|----------------------|-------------|----------|------------------|---------------------|--------------------|----|---------|---------|---------|---------|---------|---------|---------|
| Schoellhorn-Albrecht | SA1214-5-48 | 5 | 48 | 8,400 | 3,200 | 12 | 29-3/8" | 29" | 36-1/2" | 15" | 22-1/8" | 12" | 18-5/8" |
| Pull-Pak | 55A | 5 | 45 | 6,000 | 3,000 | 7 | 22-3/8" | 24-1/4" | 32-1/4" | 18-1/2" | 18-1/2" | 15-1/4" | 15-1/4" |

Since 1887

Schoellhorn-Albrecht

Machine Co., Inc.

Railcar Products Division